

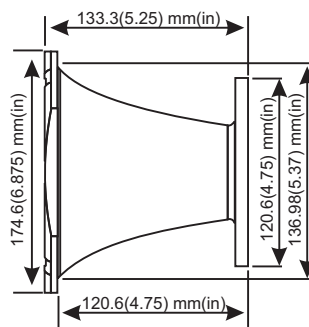
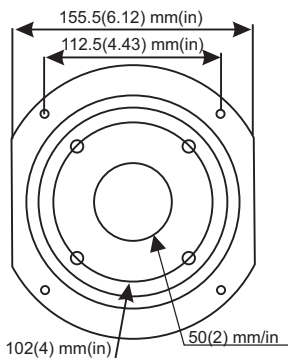
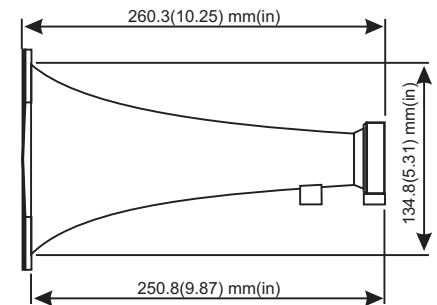
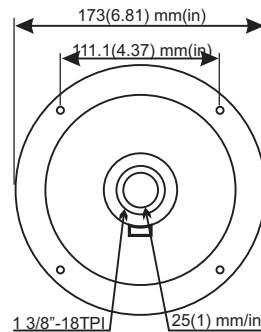
Features of the WG 11-25

- * Perfect for small speaker applications
- * Compact face 4.5 x 4.5" face
- * Light weight ABS plastic material
- * 25 mm (1") throat
- * 60x60 degree coverage



Features of the WG 14-25

- * Perfect for stage monitors and P.A. Applications
- * Flat front, compact 6.8x6.8" face
- * Light weight plastic material
- * 25 mm (1") throat
- * 45x45 degree coverage



Features of the WG 14-50

- * Perfect for stage monitors and P.A. Applications
- * Flat front, compact 6.1x6.8" face
- * Light weight aluminum material
- * 50 mm (2") throat
- * 45x45 degree coverage



Features of the WG 500

- * Line Array Applications
- * Flat front, compact 5.18 x 6.375" face
- * Light weight aluminum material
- * 36.5 mm (1.43") throat
- * 140 degree horizontal coverage

