



# SUPER TWEETER TW450-Ti



The PRV Audio TW450-Ti Super Tweeter offers a smooth response and extremely high efficiency from mid range through high range frequencies.

The Titanium diaphragm is less harsh than some metal based diaphragms and is on a Kapton former is light, thin and durable for long play applications.

The TW450-Ti is perfect for DJ Cabinets, and can may be for higher SPL Requiements. The sharp smooth sound is perfect for applications where larger compression drivers may over power a venue.

The magnet assembly is designed to concentrate energy at the voice coil gap and is assembled with durable ABS.

TW450-Ti is designed to ensure a quality sound and long lasting play in most any environment. Replacement Diaphragms available.

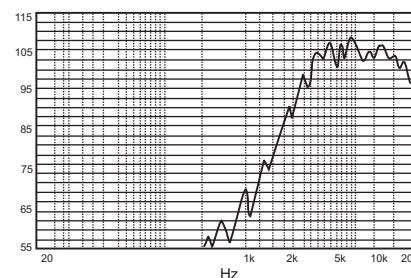
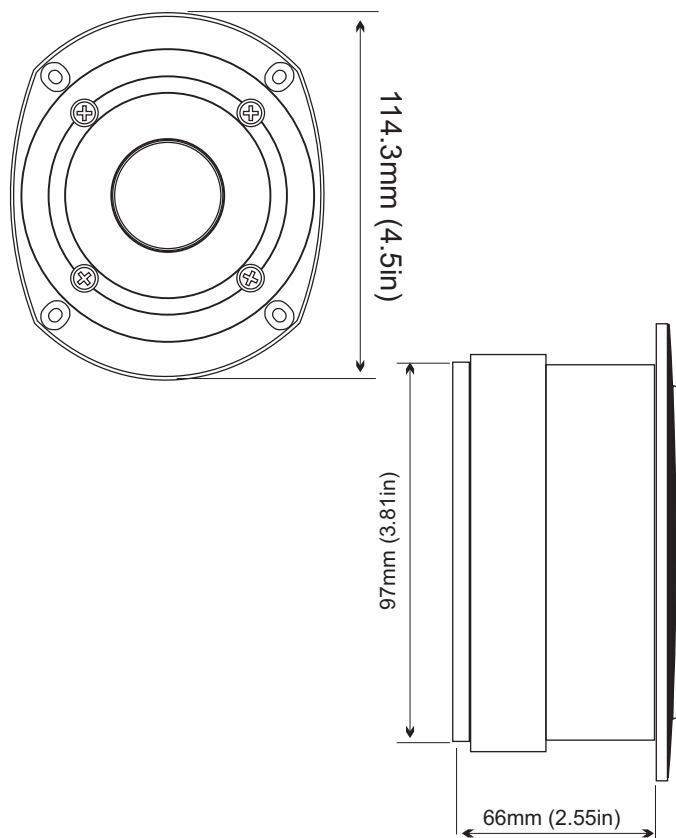
## TECHNICAL SPECIFICATIONS:

Nominal Impedance.....	8	$\Omega$
RMS Power.....	80	Wrms
Musical Program Power <sup>1</sup> .....	160	W
Sensitivity <sup>2</sup> .....	107	dB_SPL
Frequency Response @ -10db(Hz).....	3-22	kHz
Min Recommended Crossover Point.....	5000	Hz
Voice Coil Diameter.....	1.7	in
RE (Voice Coil Resistance).....	7.8	$\Omega$
Voice Coil Material.....	Copper	
Voice Coil Former Material.....	Kapton Titanium	
Magnet Weight.....	1.05	Lbs
Gross Weight.....	3.72	Lbs

<sup>1</sup> With Crossover at 5000Hz, 12db octave

<sup>2</sup> Average between 1.2kHz & 15kHz (2.83v@1m)

NOTE: Driver must be connected to a crossover that meets recommended specifications.



PRV AUDIO USA ( all USA and export sales)  
support@prv audio.com  
www.prv audio.com  
www.facebook.com/PRV AudioBrazil

PRV AUDIO BRAZIL ( only brazilian sales)  
SAO LEOPOLDO, RS  
+55 51 3566-2626  
vendas@prv audio.com.br  
http://prv audio.com.br