



NEODYMIUM DRIVER NEODT5000



The PRV Audio NEODT5000 Compression Driver is light weight and offers unsurpassed vocal and mid range reproduction.

A specially designed and easily replaceable titanium diaphragm on a Kapton former is light, thin and durable for long play applications and offers a more natural sound required for proper voice production systems.

The NEODT5000 is perfect for stage monitors, studio monitors, and stage speaker enclosures where a high sound quality is required, and weighs under ½ pound.

The Neodymium magnet assembly is designed to concentrate energy at the voice coil gap and is assembled with a standard 1 3/8" screw for easy replacement with current 1" horns.

NEODT5000 is designed to ensure a quality sound and long lasting play in most any environment.

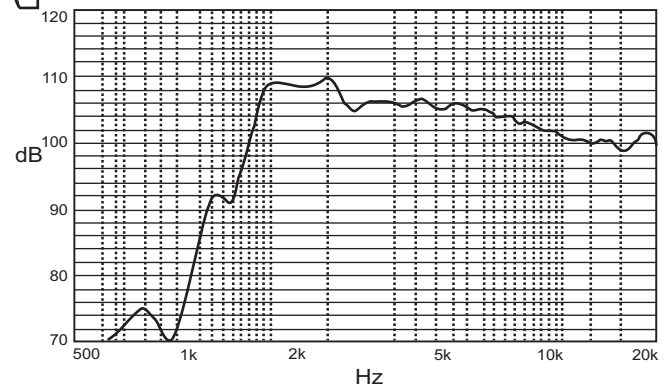
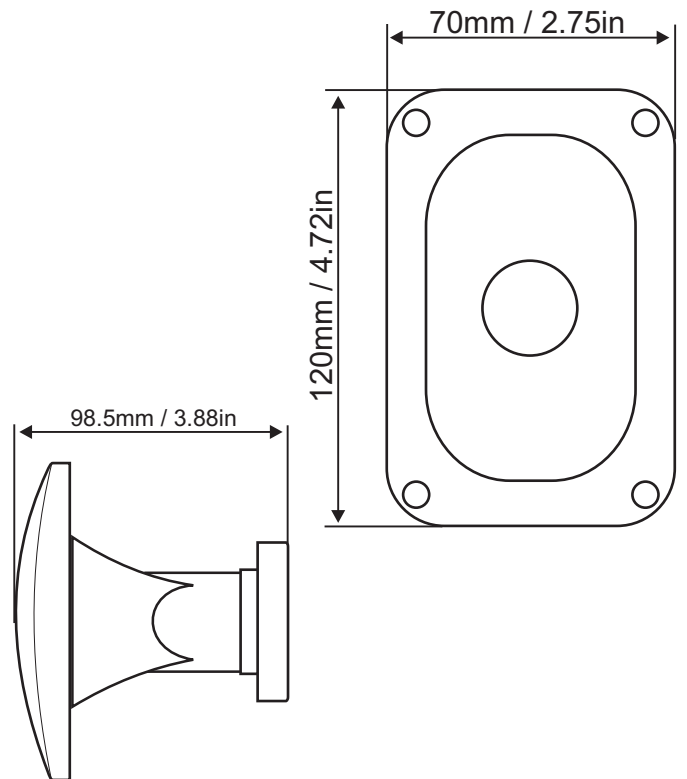
TECHNICAL SPECIFICATIONS:

Nominal Impedance.....	8	Ω
RMS Power ¹	20	Wrms
Musical Program Power ¹	40	W
Sensitivity ²	107	dB_SPL
Frequency Response @ -10db(Hz).....	1.5-18k	Hz
Recommended Crossover Point.....	2,000	Hz
Exit Diameter.....	1	in
Voice Coil Diameter.....	1	in
RE (Voice Coil Resistance).....	6.5	Ω
Voice Coil Material.....	Copper	
Voice Coil Former Material.....	Kapton Titanium	
Magnet Material.....	Neodymium	Lbs
Net Weight.....	.16/.35	kg/lbs
Mounting Depth.....	85/3.35	mm/in
Horn Dimensions.....	4.72 x 2.75	in

¹ With Crossover at 2.5kHz, 12db octave

² Average between 1.2kHz & 15kHz (2.83v@1m)

NOTE: Driver must be connected to a crossover that meets recommended specifications.



PRV AUDIO USA (all USA and export sales) PRV AUDIO BRAZIL (only brazilian sales)
 2000 N.W. 95th Ave
 Miami, FL 33172- USA
 support@prvaudio.com
 http://www.prvaudio.com

SAO LEOPOLDO, RS
 +55 51 3566-2626
 vendas@pvaudio.com.br
 http://pvaudio.com.br