



# COMPRESSION BOLT-ON DRIVER DE280



The PRV Audio DE280 Compression Driver is durable and offers unsurpassed vocal and mid range reproduction.

A specially designed and easily replaceable titanium diaphragm on a Kapton former is light, thin and durable for long play applications and offers a more natural sound required for proper voice production systems.

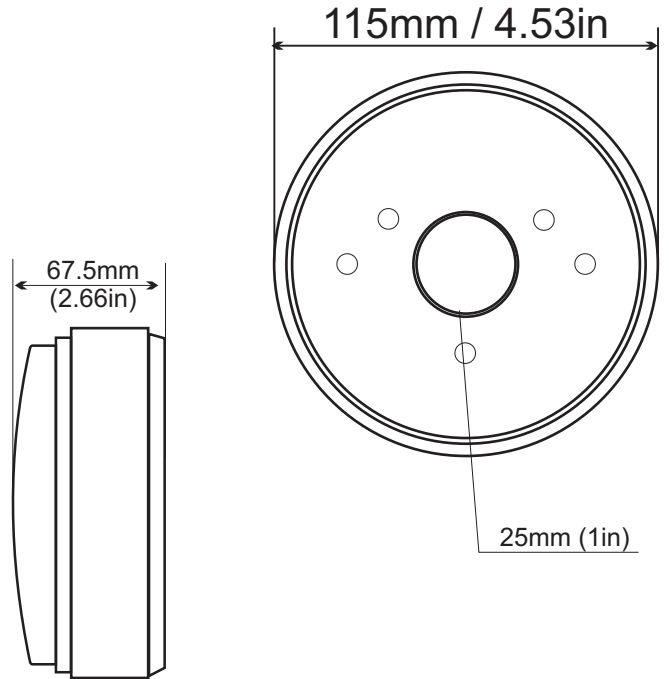
The DE280 is perfect for stage monitors, studio monitors, and stage speaker enclosures where a high sound quality and light weight is required.

The magnet assembly is designed to concentrate energy at the voice coil gap and is assembled with a 4 bolt pattern for horn lense attachment.

DE280 is designed to ensure a quality sound and long lasting play in most any environment.

## TECHNICAL SPECIFICATIONS:

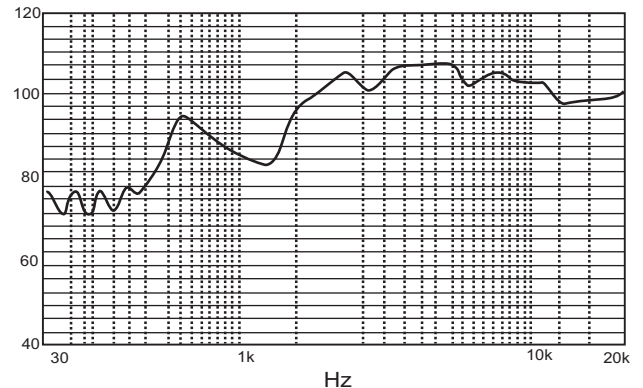
Nominal Impedance.....	8	$\Omega$
RMS Power <sup>1</sup> .....	80	Wrms
Musical Program Power <sup>1</sup>	160	W
Sensitivity <sup>2</sup> .....	107	dB_SPL
Frequency Response @ -10db(Hz).....	1.2-20k	kHz
Recommended Crossover Point.....	2,000	Hz
Exit Diameter.....	1	in
Voice Coil Diameter.....	1.75	in
RE (Voice Coil Resistance).....	6	$\Omega$
Voice Coil Material.....	Aluminum	
	Ribbon	
Voice Coil Former Material.....	Kapton	
	Titanium	
Magnet Material.....	Ceramic	
Net Weight.....	1.57/3.47	kg/lbs
Mounting Depth.....	67.5/2.66	mm/in
Diameter.....	115/4.53	mm/in



<sup>1</sup> With Crossover at 2kHz, 12db octave

<sup>2</sup> Average between 1.2kHz & 15kHz (2.83v@1m)

NOTE: Driver must be connected to a crossover that meets recommended specifications.



PRV AUDIO USA ( all USA and export sales) PRV AUDIO BRAZIL ( only brazilian sales)  
 2000 N.W. 95th Ave  
 Miami, FL 33172- USA  
 support@prvaudio.com  
 http://www.prvaudio.com

SAO LEOPOLDO, RS  
 +55 51 3566-2626  
 vendas@pvaudio.com.br  
 http://pvaudio.com.br