



COMPRESSION DRIVER D475-Ti



The PRV Audio D475-Ti Compression Driver offers unsurpassed vocal and mid range reproduction.

A specially designed and easily replaceable titanium diaphragm on a Kapton former is light, thin and durable for long play applications and offers a more natural sound required for proper voice production systems.

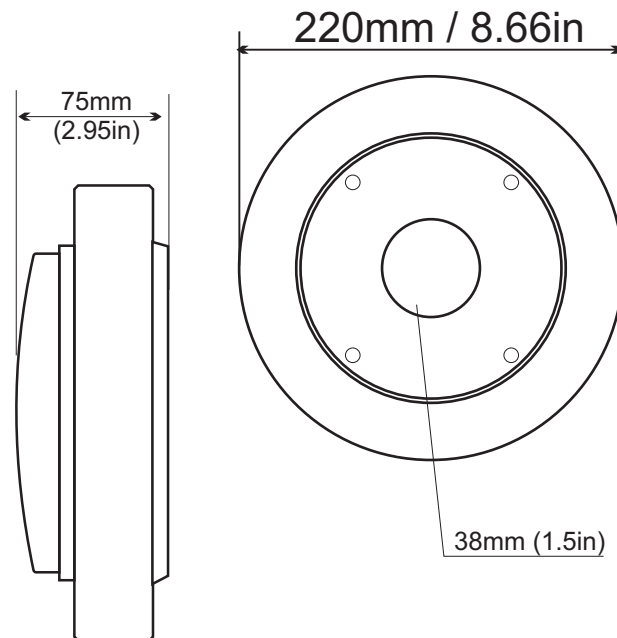
The D475-Ti with a 2" opening and large 4" voice coil is perfect for stage speaker enclosures, or line array systems where a high sound quality and SPL is required.

The Ceramic magnet assembly is designed to concentrate energy at the voice coil gap and is assembled with a 4 bolt pattern for horn lense attachment.

D475-Ti is designed to ensure a quality sound and long lasting play in most any environment.

TECHNICAL SPECIFICATIONS:

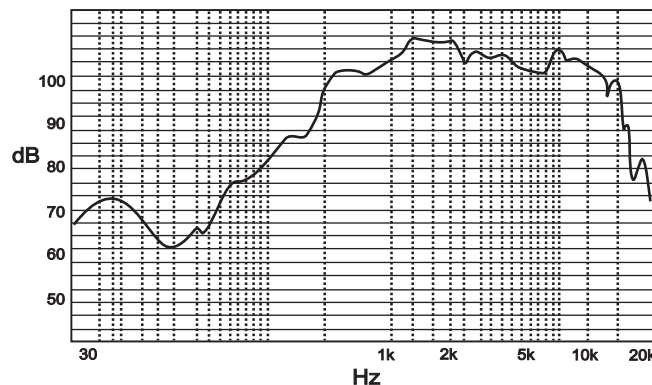
Nominal Impedance.....	8	Ω
RMS Power ¹	130	Wrms
Musical Program Power ¹	260	W
Sensitivity ²	108	dB_SPL
Frequency Response @ -10db(Hz).....	500-12k	kHz
Recommended Crossover Point.....	1,000	Hz
Exit Diameter.....	2	in
Voice Coil Diameter.....	4	in
RE (Voice Coil Resistance).....	6.8	Ω
Voice Coil Material.....	Copper	
Voice Coil Former Material.....	Kapton	
	Titanium	
Magnet Material.....	Ferrite	
Net Weight.....	7/15.4	kg/lbs
Mounting Depth.....	75/2.95	mm/in
Diameter.....	220/8.66	mm/in



¹ With Crossover at 1kHz, 12db octave

² Average between 1kHz & 15kHz (2.83v@1m)

NOTE: Driver must be connected to a crossover that meets recommended specifications.



PRV AUDIO USA (all USA and export sales) PRV AUDIO BRAZIL (only brazilian sales)
 2000 N.W. 95th Ave
 Miami, FL 33172- USA
 support@prvaudio.com
 http://www.prvaudio.com

SAO LEOPOLDO, RS
 +55 51 3566-2626
 vendas@prvaudio.com.br
 http://pvaudio.com.br