



SUB-WOOFER 18SW1600 18"



The PRV Audio 18SW1600 woofer offers outstanding durability and high power handling.

A specially designed spider suspension is assembled with a special resin improving the resistance against failure during intense use.

The 18SW1600 4" voice coil around the Polyimide-impregnated fiberglass former, coupled with the special cooling system offers great heat dissipation leading to increased life expectancy and accurate response.

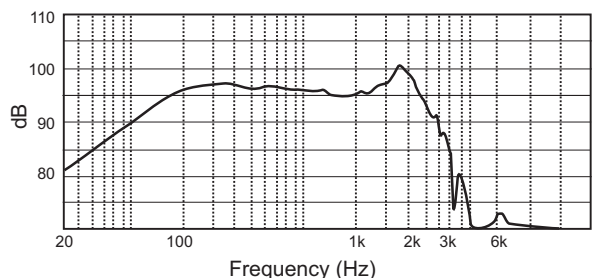
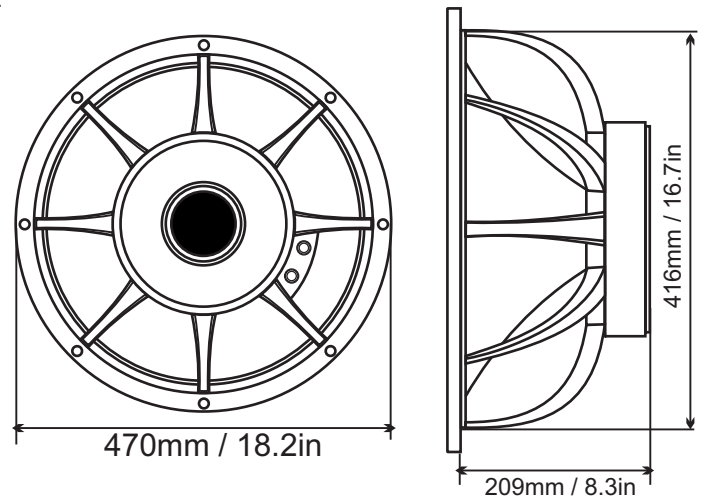
The Kevlar reinforced cone was developed and tested with the necessary stiffness to withstand intense use while still offering a smooth, accurate sound.

The magnet assembly attached to a sturdy reinforced cast aluminum frame completes the 18SW1600 to ensure a solid support structure, for long lasting play in most any environment.



TECHNICAL SPECIFICATIONS:

Nominal Diameter.....	18	in
Nominal Impedance.....	8	Ω
RMS Power.....	800	Wrms
Musical Program Power.....	1600	W
Average Sensitivity between 100Hz and 2,000Hz	99	dB_SPL
Frequency Response.....	36-2,000	Hz
Xmax.....	4.6	mm
Resonance Frequency	32	Hz
Equivalent Volume.....	312.2	l
Qes: Electrical Quality Factor.....	0.35	
Qms: Mechanical Quality Factor.....	9.934	
Qts: Total Quality Factor.....	.338	
η_o	3.73	%
Sd: Cone Area.....	1250	cm ²
Mms: Mechanical Mass.....	143.2	g
βL Strength Factor.....	23.12	T.m
Voice Coil Electrical Resistance.....	5.93	Ω
Voice Coil Diameter.....	4	in
Net Weight.....	18	Lbs
Gross Weight.....	20.4	Lbs
Overall Diameter.....	470/18.2	mm/in
Hole Cutout Diameter.....	416/16.7	mm/in
Depth.....	209/8.3	mm/in



PRV AUDIO USA (all USA and export sales)
2000 N.W. 95th Ave
Miami, FL 33172- USA
support@prvaudio.com
http://www.prvaudio.com

PRV AUDIO BRAZIL (only brazilian sales)
SAO LEOPOLDO, RS
+55 51 3566-2626
vendas@pvaudio.com.br
http://pvaudio.com.br