



MID BASS WOOFER 10MB800 10"



The PRV Audio 10MB800 mid bass woofer offers outstanding durability and high power handling.

A specially designed dual spider suspension is assembled with a special resin improving the resistance against failure during intense use. The M-Roll surround offers smooth accurate geometry during hard play.

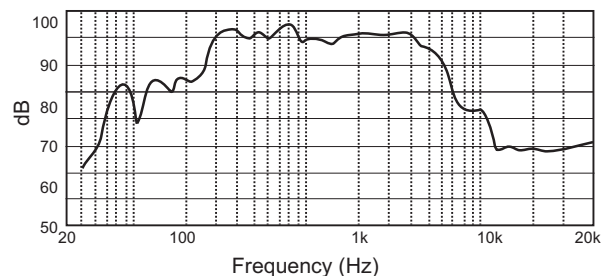
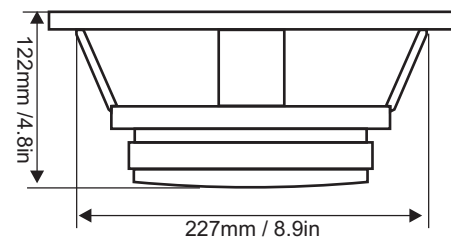
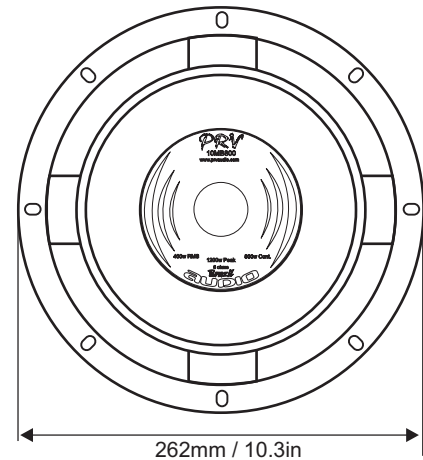
The 10MB800 offers a 2.5" aluminum voice coil that will guaranty very high efficiency while providing smooth and accurate bass response.

The light weight cone provides an excellent curve response linear to 3 kHz and makes the 10MB800 a very good solution for high quality two or three way systems.

The magnet assembly attached to a sturdy reinforced cast aluminum frame completes the 10MB800 to ensure a solid support structure, for long lasting play in most any environment.

TECHNICAL SPECIFICATIONS:

Nominal Diameter.....	10	in
Nominal Impedance.....	8	Ω
RMS Power.....	400	Wrms
Musical Program Power.....	800	W
Average Sensitivity between 100Hz and 2,000Hz	94	dB_SPL
Frequency Response.....	50-3,000	Hz
Xmax.....	5	mm
Resonance Frequency	50	Hz
Equivalent Volume.....	29.4	l
Qes: Electrical Quality Factor.....	0.34	
Qms: Mechanical Quality Factor.....	2.12	
Qts: Total Quality Factor.....	.29	
η_o	2.37	%
Sd: Cone Area.....	363	cm ²
Mms: Mechanical Mass.....	41.98	g
βL Strength Factor.....	15.73	T.m
Voice Coil Electrical Resistance.....	6.2	Ω
Voice Coil Diameter.....	2.5	in
Net Weight.....	14.3	Lbs
Gross Weight.....	10.6	Lbs
Overall Diameter.....	262/10.3	mm/in
Hole Cutout Diameter.....	227/8.9	mm/in
Depth.....	122/4.8	mm/in



PRV AUDIO USA (all USA and export sales)
2000 N.W. 95th Ave
Miami, FL 33172- USA
support@prv audio.com
<http://www.prv audio.com>

PRV AUDIO BRAZIL (only brazilian sales)
SAO LEOPOLDO, RS
+55 51 3566-2626
vendas@prv audio.com.br
<http://prv audio.com.br>